

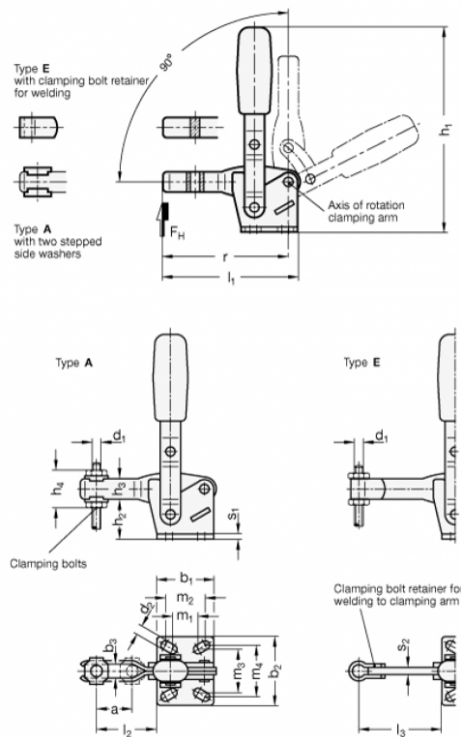
Data Sheet



Article number: 2081075ENI

Description: E+G Klee vertical clamp, stainless steel
GN 810-75-E-NI

Measures



$b_1 = 29$	Holding force $N = 900$	$s_1 = 2$
$b_2 = 34$	$l_1 = 67$	$s_2 = 4$
$d_1 = M5$	$l_3 = 48$	Size = 75
$d_2 = 4.5$	$m_1 = 15$	
$h_1 = 98$	$m_2 = 24$	
$h_2 = 19$	$m_3 = 7.0$	
$h_3 = 11$	$m_4 = 24$	
$h_4 = 23$	$r = 62.5$	